



5G Testing Switch Matrix, 18A6BAX

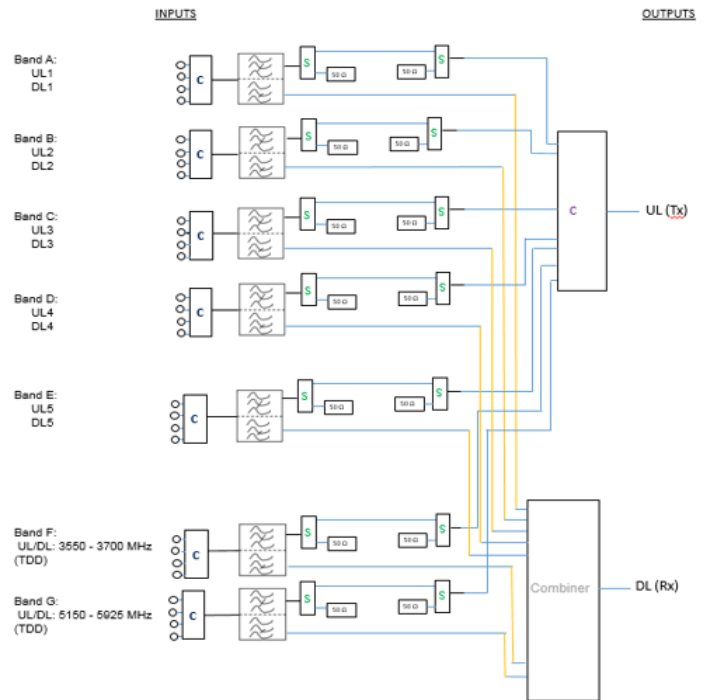
Renaissance's new Switch Matrix is designed to accept multiple frequency bands and then select and combine up to 5 FDD and 2 TDD frequency bands to a common UL port.

Frequency:

Band #	Type	UL	DL
2	FDD	1850 – 1910 MHz	1930 – 1990 MHz
4	FDD	1710 – 1755 MHz	2110 – 2155 MHz
5	FDD	824 – 849 MHz	869 – 894 MHz
13	FDD	776 – 787 MHz	746 – 757 MHz
46	TDD	5150 – 5925 MHz	
48	TDD	3550 – 3700 MHz	
66	FDD	1710 – 1780 MHz	2110 – 2200 MHz

Insertion Loss:	25 dB Max
Isolation:	60 dB Min
VSWR:	1.45:1 Typ
Power:	30 dBm Type 33 dBm Composite Max
Temperature:	0° C to +45° C
Control:	Ethernet and local (touch screen)

TEST SWITCH MATRIX



- The UL port can be programmed to select any one or any combinations of the bands any given time.
- The DL port will have all bands present at all the times.
- Type N Connectors on Panels
- 10" Touchscreen display
- Web based GUI and Remote Ethernet Control