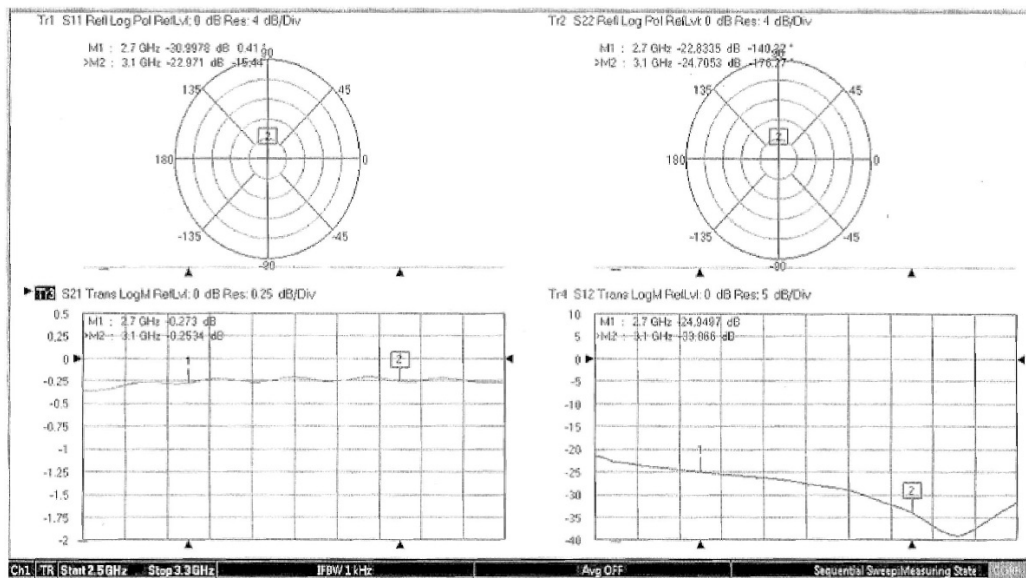




2.7 – 3.1 GHz Coaxial Isolator, S-band, 2A5NDR

For military and commercial satellite and radar applications, Renaissance has designed an S-band coaxial isolator. Operating at 2.7 – 3.1 GHz with low insertion loss and high isolation, it is ideal for airport surveillance radars.



Features and Benefits

- Ideal for airport surveillance radars
- Effectively operates within a wide temperature range
- Low insertion loss
- Compact size

Specifications

Frequency	2.7 – 3.1 GHz
Insertion loss	0.5 dB
Isolation	20 dB
VSWR	1.25 : 1
Power (CW)	2 Watt
Temperature	-20°C to 88°C
Size	1.00" x .100" x 0.50"