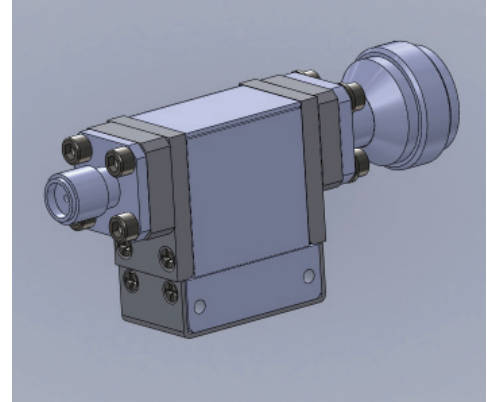
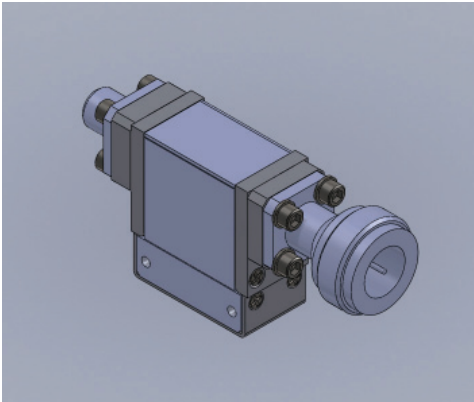


Renaissance Electronics Medium Power Coaxial Isolator 7 GHz



Renaissance Electronics has recently developed a 7 GHz, medium power coaxial isolator that can handle up to 50 W of reverse RF power. The connectors are Type N female on the output side and SMA female for the input. Both connectors are field replaceable and has removable spacers to allow isolator to go through a metal enclosure of known thickness. This design exhibits insertion loss below 0.3 dB over 6.7 to 7.1 GHz of operating bandwidth with 20 dB isolation and 1.25:1 VSWR. Mechanical packaging is robust to handle 10,000 ft of altitude and -40 to +85 C temperature fluctuations.

CHARACTERISTICS:

Bandwidth	6.7-7.1 GHz
Isolation	20 dB
Insertion loss	0.3 dB
VSWR	1.25 : 1
Power	50 Watts
Temperature range	-40° to +85C



www.rec-usa.com sales@rec-usa.com 978-772-7774