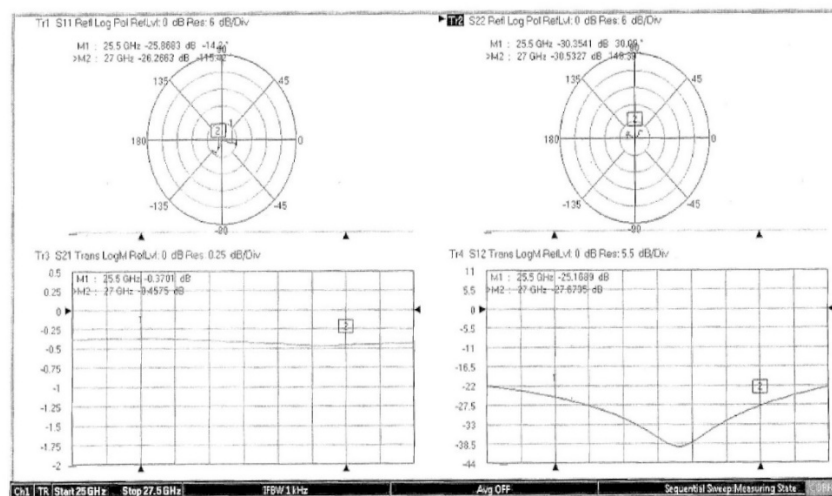


### 25.5 – 27.0 GHz Coaxial Isolators, K-band, 2A9NHZ and 2A9NHZ

Ideal for military and commercial SatCom applications, Renaissance has designed a K-band coaxial isolator that operates over a frequency of 25.5 – 27.0 GHz. This isolator offers low VSWR, low insertion loss and high isolation.



#### Features and Benefits

- High return loss for lower insertion loss
- Low VSWR for higher fidelity
- Temperature stable for performance in harsh environments

#### Specifications

Frequency	25.5 – 27.0 GHz
Insertion Loss	0.5 dB
Isolation	22 dB
Return Loss	22 dB
Power FWD	20W CW
Power REV	2W
Temperature	-30° to 70°C
Size	.580" x .67" x .70"