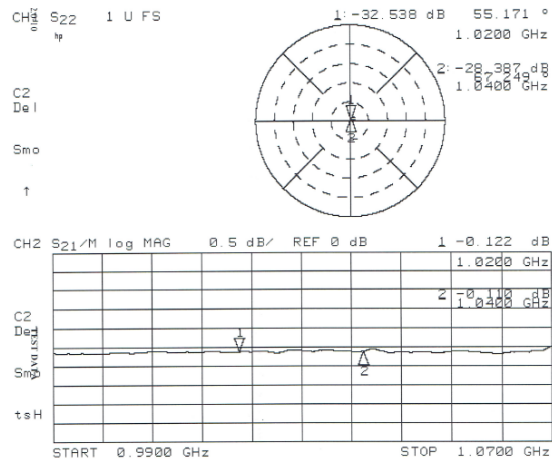
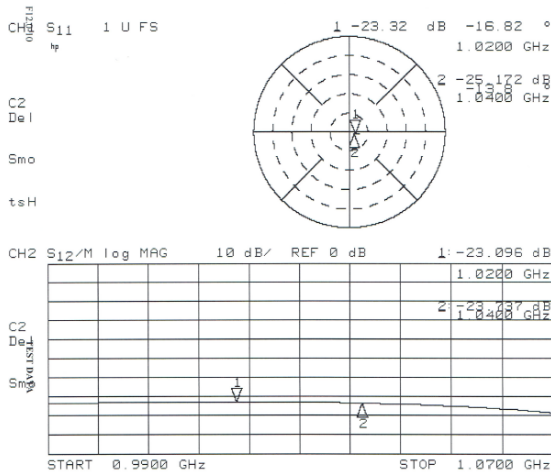




### 1.020 – 1.040 GHz Drop-in Isolator, L-Band, 2H2NFG

Renaissance has designed a high-power drop-in isolator for IFF transceiver applications. Covering 1.02 – 1.04 GHz, this isolator has just 0.40 dB of insertion loss over -30 to +70 C while handling 100 W Forward and Reverse power levels. The design is covered under a US Patent that transfers all of the 100 W reflected to a thermally heat sunk portion of the steel housing.



#### Features and Benefits

- High Power Handling Capability
- Low insertion loss and high isolation
- Compact size
- Suitable for military radio applications
- Increases system efficiency
- Optimized for space constrained applications

#### Specifications

|                 |                       |
|-----------------|-----------------------|
| Frequency       | 1.02 – 1.04 GHz       |
| Insertion loss  | 0.40 dB               |
| Isolation       | 20 dB                 |
| VSWR            | 1.20: 1               |
| Power CW        | 100 W                 |
| Reflected Power | 100 W                 |
| Temperature     | -35 to 70 C°          |
| Size            | 1.00" x 1.25" x 0.30" |