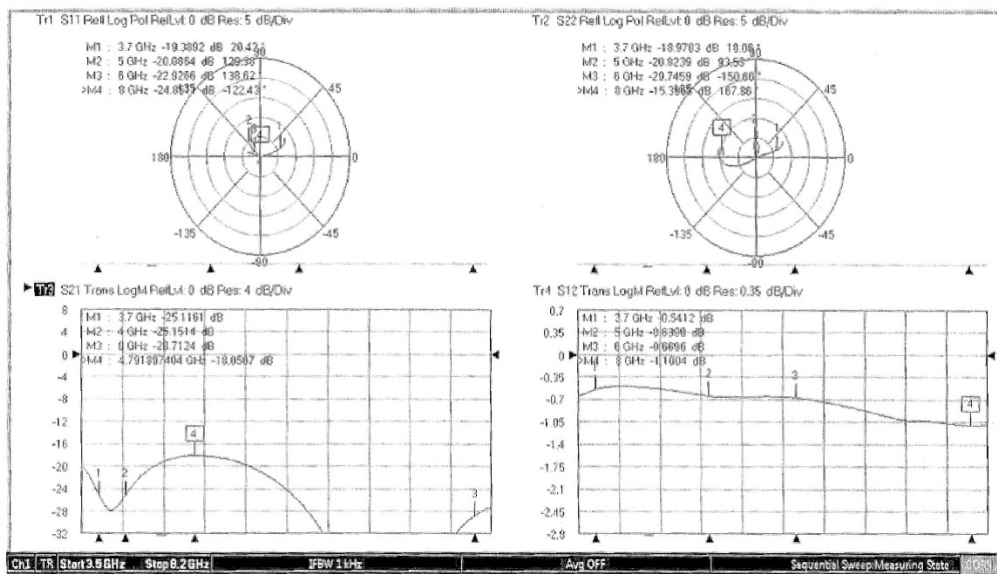


3.7 – 8 GHz Drop-in Isolator, C-band, 2H7BZL

Renaissance has designed an octave band drop-in isolator, covering a bandwidth of 3.7 – 8.0 GHz. Ideal for C-band radar applications, this isolator has temperature stable performance and handles power evenly over the entire band.



Frequency (GHz)	3.7 – 8.0	3.7 – 8.0	5.0 – 6.0	3.7 – 4.0	4.0 – 8.0
Isolation (Min)				14 dB	16 dB
Insertion Loss (Max)	1.0 dB	1.2 dB	0.7 dB		
VSWR (Max)	1.50:1	1.7:1	12:1		
Load	1 Watt				
Temperature	+25°C	-45°C to +71°C			
Size	.750" x .750" x 0.25"				

Features and Benefits

- Operates over multiple frequency ranges within C-band
- Ideal for C-band radar applications
- Low loss / high isolation
- Compact size