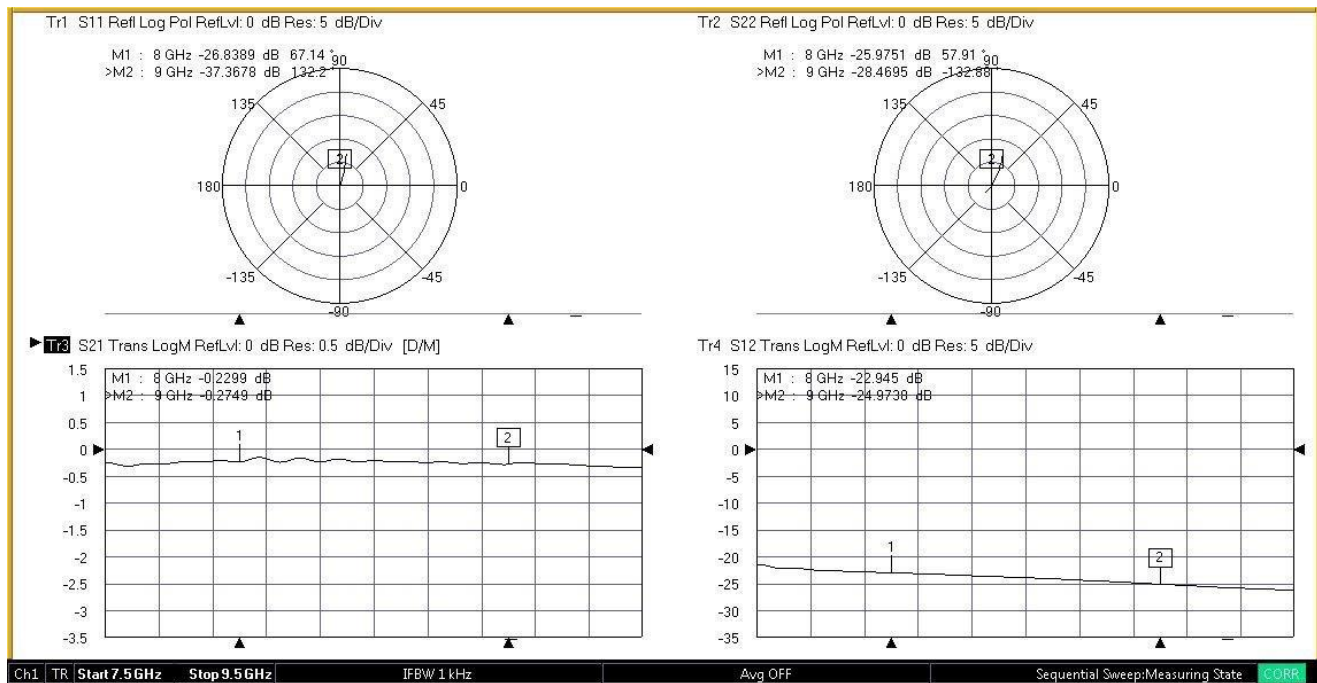


## 8 – 9 GHz Drop-in Isolator, X-band, 2L8NCF



Renaissance's latest X-band drop-in Isolator has typical return loss of 23 dB and 0.3 dB loss over 8 - 9 GHz. With a footprint of just .5" x .25" and power handling of 5W forward and 1W reverse, it is ideal to match RF components with high VSWR.

2L8NCF



## Features and Benefits

- Ideal for up-converters
- Low insertion loss improves link budgets
- Low VSWR provides higher system efficiency
- High isolation improves systems fidelity
- Industrial temperature range

## Specifications

Frequency	8.0 – 9.0 GHz
Insertion loss	0.5 dB
Isolation	20 dB
VSWR	1.22: 1
Power Forward	5 Watts
Power Load	1 Watt
Temperature	0°C to 70°C
Size	.50" x .25" x .18"