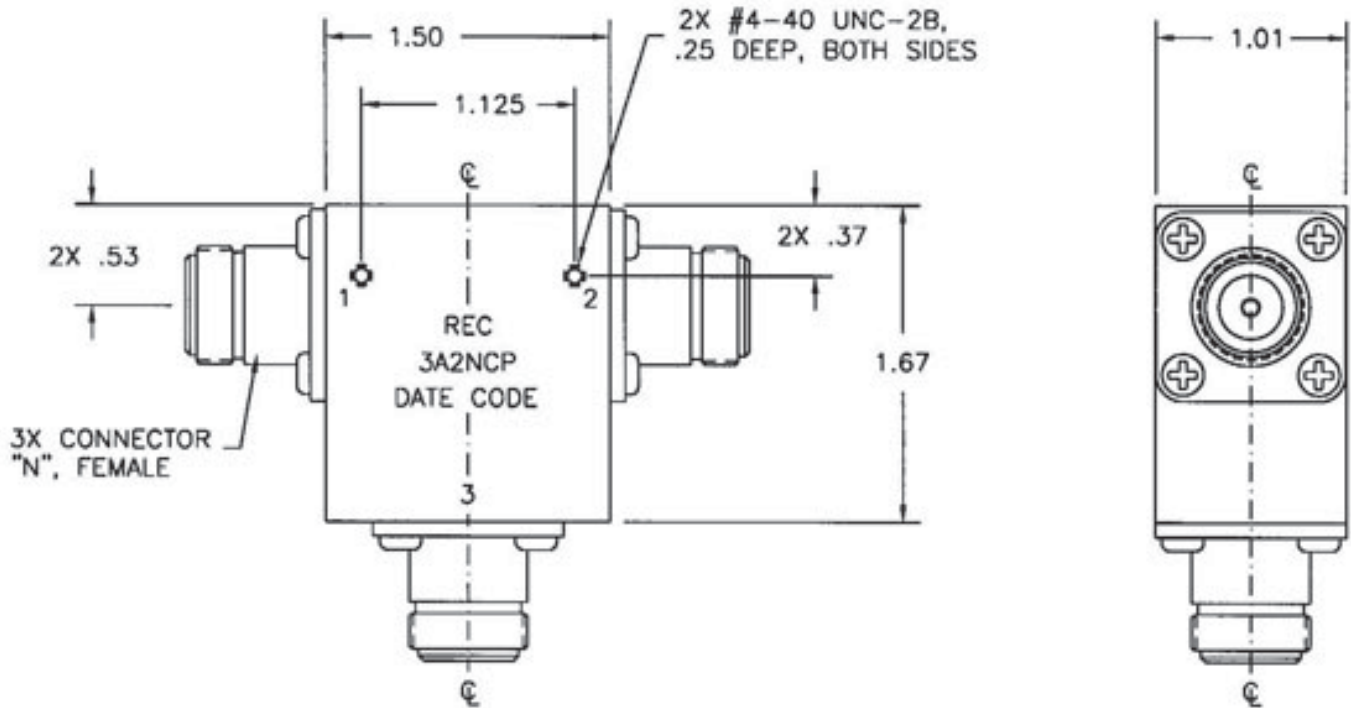


Model 3A2NCP Circulator Coaxial

This drawing is the sole property of REC and shall not be copied or reproduced in any form whatsoever. The contents are for the purpose only of quotation to or manufacture for REC and shall not be used as a basis for quotation to or manufacture for others. This drawing shall be returned with quotation or at termination of manufacturing contract or on demand of REC whichever is first.

| REVISIONS | | | | |
|-----------|----------|------------------------------------|----------|-------|
| LTR | ECO | DESCRIPTION | DATE | APRVD |
| - | 97618 | DRAWING INITIATED | 09/17/97 | |
| A | 98036 | ELECTRICAL CHARACTERISTICS REVISED | 01/29/98 | |
| B | 20020211 | BOM ADDED TO MAX | 04/23/02 | |



ELECTRICAL CHARACTERISTICS:

| | |
|----------------------|-------------------|
| FREQUENCY RANGE | 700 - 950 MHz |
| ISOLATION (Min) | 15 dB, 17 dB GOAL |
| INSERTION LOSS (Max) | 0.7 dB |
| VSWR (Max) | 1.60 : 1 |
| POWER | 150 Watts |
| TEMPERATURE RANGE | -40°C TO +75°C |

| | | | | | |
|--------------------------|---|-----------|-----------------------------|---|---------------------|
| USED ON | UNLESS OTHERWISE SPECIFIED DIMENSIONS ARE IN INCHES | DRAWN | G S GENFAN DATE 09/17/97 | Renaissance Electronics Corporation sales@rec-usa.com 978-772-7774 | |
| | TOLERANCES ON | CHECKED | | TITLE | |
| | DECIMALS | ANGLES | ENG. APVD | B SALKINS | CIRCULATOR, COAXIAL |
| | .X± .03 | ±1/2° | MFG. APVD | 09/17/97 | |
| | .XX± .02 | | | | |
| | .XXX± .01 | | | | |
| CUSTOMER SPECIFICATION # | UNLESS OTHERWISE SPECIFIED ALL OVER | APPROVALS | | SIZE | CAGE IDENT NO. |
| | NOTE: THIS DWG INCORPORATES THIRD ANGLE PROJECTION | | | A | ORJ02 |
| FILE NAME | | | | | DRAWING NO. |
| OD\3A2NCP | | | | | 3A2NCP |
| | | | | SCALE | DISK #F |
| | | | | | SHEET 1 OF 1 |