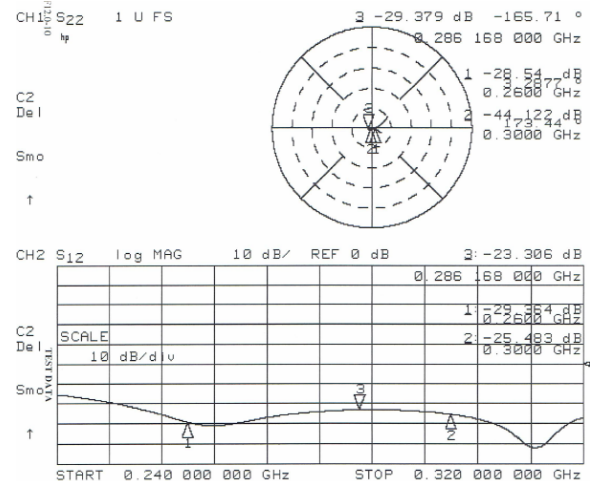
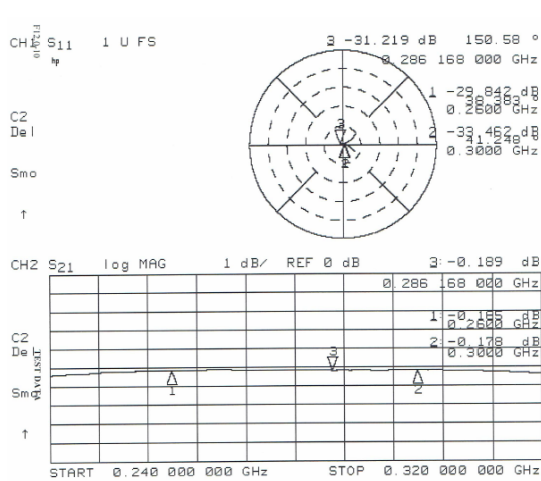




260 – 300 MHz Coaxial Circulator, 3A2NGB

Renaissance has designed a high Peak and Average Power handling circulator covering 260 – 300 MHz. With low loss of 0.3 dB and isolation of 20 dB, it is optimized for Aeronautical Communications & Navigation applications.



Features and Benefits

- Low insertion loss and high isolation
- High Pulsed and CW Power Handling
- High Isolation
- Applicable for Pulsed Radar Systems
- Lower System Level Distortion and Noise Generation

Specifications

Frequency	260 – 300 MHz
Insertion loss	0.3 dB
Isolation	20 dB (min)
VSWR	1.25: 1
Power CW	500 W
Power Pulsed	500 W
Temperature	Room Ambient
Size	2.8" x 2.9" x 1.4"