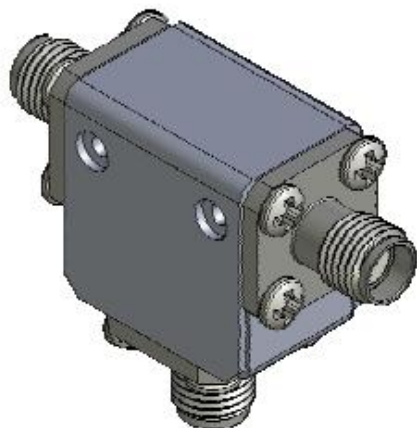


8.5 – 9.6 GHz, Coaxial Circulator, 3A8NAZ



3A8NAZ

For X-band radar applications, REC has designed a high power, low loss circulator in a compact 0.75" x 0.75" x 0.5" coaxial package.

PRODUCT FEATURES

- 8.5 – 9.6 GHz bandwidth
- Low loss
- High peak and CW power

BENEFITS

- Supports legacy radar applications
- High reliability
- Optimizes radar efficiency

SPECIFICATIONS

Frequency	8.5 – 9.6 GHz
Insertion loss	0.35 dB to 0.4 dB
Isolation	20 dB
VSWR	1.25 : 1
Power CW	75 W
Power Peak	400 W
Temperature	-0°C to 70°C
Size	.75" x .75" x .50"