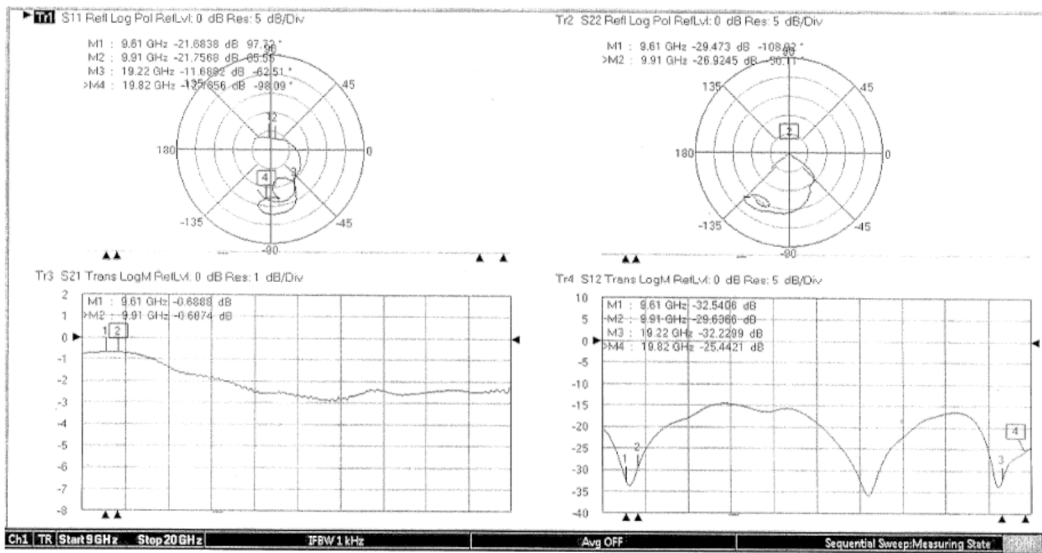


9.61 – 19.82 GHz Octave Band Coaxial Isolator, C1-X15339-5B

For military radar, Renaissance has designed an octave band isolator that spans X and Ku-bands. This compact size isolator offers temperature stable performance and low insertion loss for high performance.



Electric Characteristics			
Frequency (GHz)	9.61 – 9.91	9.91 – 19.22	19.22 – 19.82
Isolation	25 dB Min	-	8 dB Min
Insertion Loss	1.7 – 2.4 dB	-	-
VSWR (IN)	1.25 : 1 Max	2.5 : 1 Max	2.0 : 1 Max
VSWR (OUT)	1.25 : 1 Max	-	-
Operating Temp (°C)	-54 to +85	-54 to +85	-54 to +85
Size	.722" x .960 x 0.53		

Features and Benefits

- Octave band isolator, operating over 9.61 – 19.82 GHz
- Operates efficiently within a wide temperature range
- One device can work within both X and Ku-bands