

DROP-IN CIRCULATORS

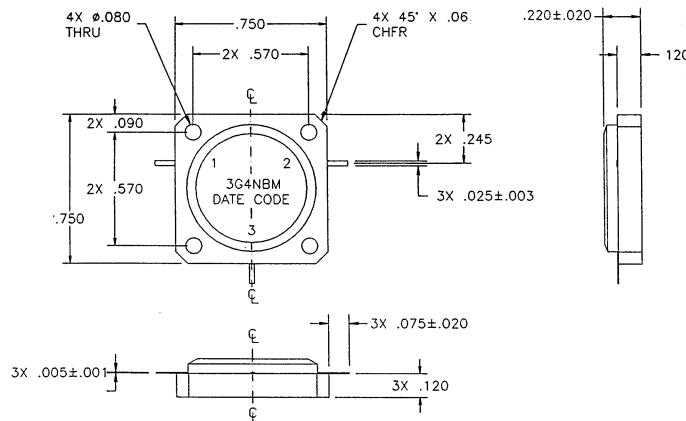


DROP-IN ISOLATORS/CIRCULATORS
.2 GHZ TO 18 GHZ

STANDARD UNITS HAVE DROP-IN TABS AND A STANDARD LOAD THAT WILL HANDLE 100 WATTS (PK), 10 WATTS (AVG). OPTIONS AVAILABLE UPON REQUEST INCLUDE: TERMINATION TYPE AND LOCATION, TAB TYPE AND LOCATION, POWER HANDLING, MOUNTING HOLES, BROADER TEMPERATURE RANGES, RF AND MAGNETIC SHIELDING, AND DIRECTION OF CIRCULATION.



TYPICAL PACKAGE DIMENSIONS



DROP - IN CIRCULATOR

FREQUENCY GHz	ISOLATION dB, MIN	INSERTION Loss dB, MAX	VSWR MAX	POWER WATTS	MODEL#	DIMENSIONS IN INCHES
0.234 - 0.246	20	0.500	1.250:1	30	3SG2NN	1.180 X 1.180 X 0.510
0.245 - 0.258	20	0.500	1.250:1	30	3SG2NO	1.180 X 1.180 X 0.510
0.258 - 0.270	20	0.500	1.250:1	30	3SG2NP	1.180 X 1.180 X 0.510
0.270 - 0.284	20	0.500	1.250:1	30	3SG2NQ	1.180 X 1.180 X 0.510
0.284 - 0.298	20	0.500	1.250:1	30	3SG2NR	1.180 X 1.180 X 0.510
0.298 - 0.314	20	0.500	1.250:1	30	3SG2NS	1.180 X 1.180 X 0.510
0.307 - 0.323	20	0.500	1.250:1	30	3SG2NT	1.180 X 1.180 X 0.510
0.320 - 0.330	20	0.500	1.250:1	30	3SG2NU	1.180 X 1.180 X 0.510
0.326 - 0.346	20	0.500	1.250:1	30	3SG2NV	1.180 X 1.180 X 0.510
0.346 - 0.364	20	0.500	1.250:1	30	3SG2NW	1.180 X 1.180 X 0.510
0.365 - 0.385	20	0.500	1.250:1	30	3SG2NA	1.180 X 1.180 X 0.510
0.380 - 0.400	20	0.500	1.250:1	30	3SG2NB	1.180 X 1.180 X 0.510
0.380 - 0.430	18	0.500	1.250:1	90	3SK2NQ	1.990 X 1.950 X 0.450
0.430 - 0.450	20	0.500	1.250:1	30	3SG2NC	1.180 X 1.180 X 0.510
0.450 - 0.470	20	0.500	1.250:1	30	3SG2ND	1.180 X 1.180 X 0.510
0.470 - 0.520	20	0.500	1.250:1	90	3SK2NN	1.990 X 1.950 X 0.450
0.520 - 0.576	20	0.500	1.250:1	90	3SK2NR	1.990 X 1.950 X 0.450
0.576 - 0.638	20	0.500	1.250:1	90	3SK2ND	1.990 X 1.950 X 0.450
0.638 - 0.704	20	0.500	1.250:1	90	3SK2NE	1.990 X 1.950 X 0.450
0.704 - 0.800	18	0.500	1.250:1	90	3SK2NF	1.990 X 1.950 X 0.450
0.800 - 1.000	15	0.500	1.250:1	50	3G2NBN	1.250 X 1.250 X 0.365
0.824 - 0.960	18	0.500	1.300:1	50	3G2NAR	1.250 X 1.250 X 0.365
0.820 - 0.960	20	0.300	1.250:1	50	3G2NBF	1.000 X 1.000 X 0.230
0.869 - 0.894	23	0.200	1.150:1	50	3G2NBZ	1.250 X 1.250 X 0.365
0.869 - 0.894	22	0.300	1.200:1	50	3G2NBR	1.250 X 1.250 X 0.365
0.925 - 0.960	23	0.300	1.150:1	50	3G2NBA	1.250 X 1.250 X 0.365
1.030 - 1.090	20	0.500	1.250:1	50	3G3NAS	1.000 X 1.000 X 0.300
1.100 - 1.300	20	0.500	1.250:1	50	3G3NBA	1.000 X 1.000 X 0.300
1.200 - 1.400	20	0.300	1.250:1	50	3G3NX	1.000 X 1.000 X 0.300
1.400 - 1.600	20	0.500	1.250:1	50	3G3NAF	0.750 X 0.750 X 0.300
1.500 - 1.800	20	0.500	1.250:1	50	3G3NAM	0.750 X 0.750 X 0.300
1.700 - 1.900	20	0.500	1.250:1	50	3G4NBN	0.750 X 0.750 X 0.300
1.700 - 1.800	20	0.400	1.250:1	50	3G4NAR	0.750 X 0.750 X 0.300
1.800 - 2.000	20	0.300	1.250:1	50	3G4NCB	0.750 X 0.750 X 0.300
1.900 - 2.200	20	0.500	1.250:1	50	3G4NCW	0.750 X 0.750 X 0.230
2.200 - 2.400	20	0.400	1.300:1	50	3G4NDG	0.750 X 0.750 X 0.300
2.500 - 2.700	21	0.400	1.200:1	50	3G4NDM	0.750 X 0.750 X 0.230
2.700 - 2.900	20	0.350	1.250:1	50	3G5NK	0.750 X 0.750 X 0.200
3.100 - 3.500	18	0.500	1.300:1	50	3G5NE	0.750 X 0.750 X 0.300
3.400 - 3.600	20	0.300	1.250:1	50	3G5NP	0.750 X 0.750 X 0.300
3.600 - 4.200	20	0.500	1.250:1	50	3G5NG	0.750 X 0.750 X 0.250
4.200 - 4.400	20	0.500	1.250:1	50	3G6NF	0.500 X 0.500 X 0.180
4.400 - 5.000	20	0.500	1.250:1	50	3G6NE	0.500 X 0.500 X 0.180
5.000 - 6.000	20	0.500	1.250:1	50	3G6NJ	0.500 X 0.500 X 0.180
6.000 - 7.000	20	0.500	1.250:1	50	3G7NN	0.500 X 0.500 X 0.180
7.000 - 8.500	20	0.500	1.250:1	50	3G7NK	0.500 X 0.500 X 0.180
5.800 - 6.400	20	0.500	1.250:1	50	3G7NA	0.500 X 0.500 X 0.180
6.400 - 7.200	20	0.500	1.250:1	50	3G7NE	0.500 X 0.500 X 0.180
9.000 - 10.000	20	0.500	1.250:1	50	3G8NM	0.500 X 0.500 X 0.180
10.000 - 11.000	20	0.500	1.250:1	50	3G8NT	0.500 X 0.500 X 0.180
10.950 - 12.750	20	0.500	1.250:1	50	3G8NK	0.500 X 0.500 X 0.180
13.750 - 14.500	20	0.500	1.250:1	50	3G9NE	0.500 X 0.500 X 0.180
14.500 - 15.500	20	0.500	1.250:1	50	3G9NN	0.500 X 0.500 X 0.180