

RSM MULTI-PORT SERIES SWITCHES

Renaissance Electronics multi-port switches are broadband, (DC-18 GHz) available in a normally open configuration. These switches have break before make RF contacts that switch from a common input to any of 5 outputs. Multi-port switches are available in two sizes, 6 port and 8 port, both offer low insertion loss, minimal VSWR, and high isolation. Our multi-port switches are designed for high reliability and consistent performance.



RSM MULTI-PORT

FEATURES:

- Low insertion loss and high isolation: better signal integrity and less crosstalk.
- Long term reliability: reduce your system maintenance cost.
- High power handling capability: parts commonality reduces inventory.
- Excellent repeatability: improve your yield and lower your cost.

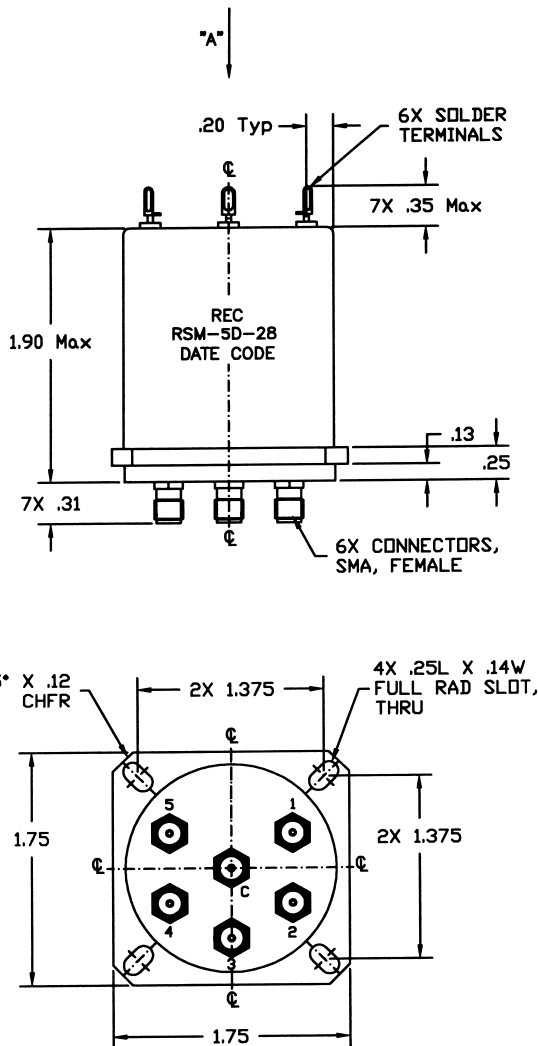
OPERATING MODES:

- Normally open
- Normally open with TTL logic

SPECIFICATIONS:

Common Specifications

Switch Type:	Multi-port
Frequency Range:	DC – 18 GHz
Impedance:	50 ohms
Connectors:	SMA Female
Bias Connection:	Solder Terminals
Switch Time:	20 milliseconds
Life:	1,000,000 Cycles minimum
Operating Environment	
Operating Temperature:	0 to +70°C; -40 to +85°C ≤ 30% humidity
Storage Temperature:	-65 to +125°C



HOW TO ORDER - COAXIAL SWITCHES

MODEL: RS X - X X - X - X

CONNECTOR: _____
M = SMA (F)

THROWS: _____
5

CURRENT: _____
D = DIRECT

OPTIONS: _____
TTL = TTL

VOLTAGE: _____
12
15
21
28

ELECTRICAL CHARACTERISTICS:

Frequency Range GHz	Insertion Loss dB max	Port-to-Port Isolation dB min	VSWR	Typical Switching Time mS	CW RF Power Handling Watts max	DC Supply Volts @ 100 mA max
DC-18	0.2 @ 3 GHz	75 @ 3 GHz	< 1.2 @ 3 GHz	20	200 @ 3 GHz	+28*
	0.3 @ 8 GHz	70 @ 8 GHz	< 1.3 @ 8 GHz		70 @ 8 GHz	
	0.4 @ 12 GHz	60 @ 12 GHz	< 1.4 @ 12 GHz		60 @ 12 GHz	
	0.5 @ 18 GHz	60 @ 18 GHz	< 1.5 @ 18 GHz		50 @ 18 GHz	

*Other voltages available