

RSM MULTI-PORT SERIES SWITCHES



RSM MULTI-PORT

Renaissance Electronics multi-port switches are broadband, (DC-18 GHz) available in a normally open configuration. These switches have break before make RF contacts that switch from a common input to any of 6 outputs. Multi-port switches offer low insertion loss, minimal VSWR, and high isolation. Our multi-port switches are designed for high reliability and consistent performance.

FEATURES:

- Low insertion loss and high isolation: better signal integrity and less crosstalk.
- Long term reliability: reduce your system maintenance cost.
- High power handling capability.
- Excellent repeatability: improve your yield and lower your cost.

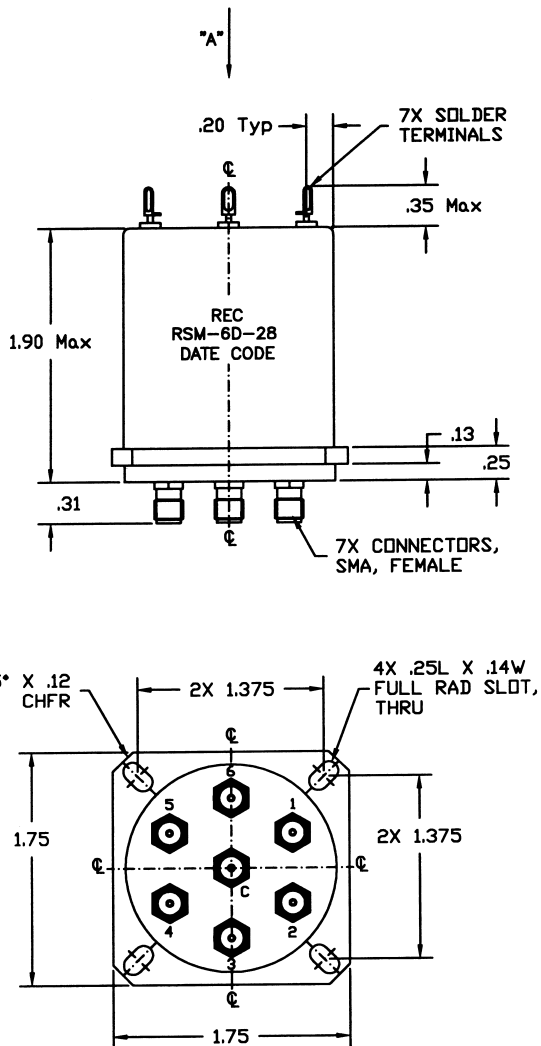
OPERATING MODES:

- Normally open
- Normally open with TTL logic

SPECIFICATIONS:

Common Specifications

Switch Type:	Multi-port
Frequency Range:	DC – 18 GHz
Impedance:	50 ohms
Connectors:	SMA Female
Bias Connection:	Solder Terminals
Switching Time:	20 milliseconds
Life:	2,000,000 Cycles minimum
Operating Environment	
Operating Temperature:	0 to +70°C; -40 to +85°C ≤ 30% humidity
Storage Temperature:	-65 to +125°C



HOW TO ORDER - COAXIAL SWITCHES

MODEL: RS X - X X - X - X

CONNECTOR: _____
M = SMA (F)

THROWS: _____
3-6

CURRENT: _____
D = DIRECT

OPTIONS: _____
TTL = TTL

VOLTAGE: _____
12
15
21
28

ELECTRICAL CHARACTERISTICS:

Frequency Range GHz	Insertion Loss dB max	Port-to-Port Isolation dB min	VSWR	Typical Switching Time mS	CW RF Power Handling Watts max	DC Supply Volts @ 50 mA max
DC-3	0.2	75	< 1.2	20	200	+28*
3-8	0.3	70	< 1.3		70	
8-12	0.4	60	< 1.4		60	
12-18	0.5	60	< 1.5		50	

*Other voltages available



RENAISSANCE ELECTRONICS CORPORATION – ISO 9001 CERTIFIED

Tel: 978 772-7774 Fax: 978 772-7775 www.rec-usa.com sales@rec-usa.com © 2005 Renaissance Electronics Corp. 1/05