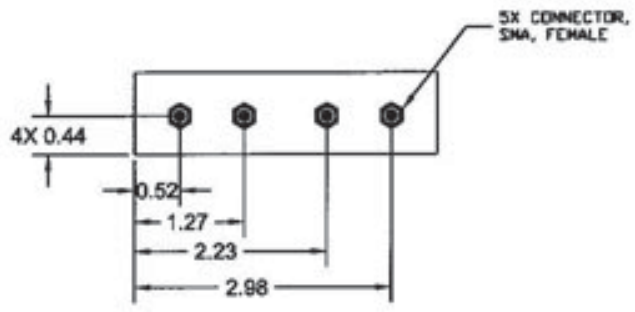
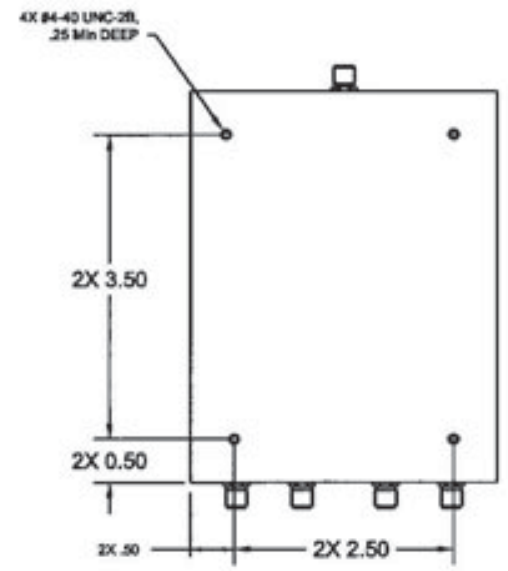
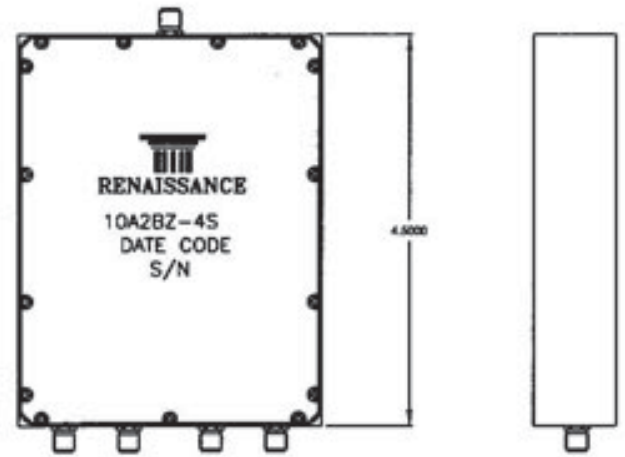
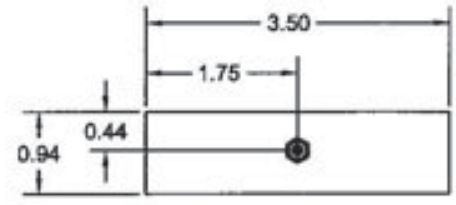


# 4 Way Power Combiner/Divider

THIS DRAWING IS THE SOLE PROPERTY OF REC AND SHALL NOT BE COPIED OR REPRODUCED IN ANY FORM WHATSOEVER. THE CONTENTS ARE FOR THE PURPOSES ONLY OF QUOTATION TO OR MANUFACTURE FOR REC AND SHALL NOT BE USED AS A BASIS FOR QUOTATION TO OR MANUFACTURE FOR OTHER. THIS DRAWING SHALL BE RETURNED WITH QUOTATION OR AT TERMINATION OF MANUFACTURING CONTRACT OR ON DEMAND OF REC WHICHEVER IS FIRST.

| REVISIONS |      |     |                   |          |          |
|-----------|------|-----|-------------------|----------|----------|
| ZONE      | REV. | ECO | DESCRIPTION       | DATE     | APPROVED |
| *         | A    | *   | DRAWING INITIATED | 05/06/08 | *        |



| ELECTRICAL CHARACTERISTICS: |                               |
|-----------------------------|-------------------------------|
| FREQUENCY RANGE             | 400 - 500 MHz                 |
| INSERTION LOSS              | 6.5 dB (INCLUDING SPLIT LOSS) |
| VSWR                        | 1.25:1 MAX ALL PORTS          |
| TIME DELAY                  | 750 ±0.01 nSEC                |
| AMPLITUDE BALANCE           | 0.2 dB MAX                    |
| ISOLATION                   | 20dB MIN                      |
| INPUT POWER/CHANNEL         | 50W ANY PHASE                 |
| OPERATING TEMP              | -40 TO 85°C                   |

Renaissance Electronics Corporation  
[sales@rec-usa.com](mailto:sales@rec-usa.com) 978-772-7774

|   |        |                     |                     |            |
|---|--------|---------------------|---------------------|------------|
| DIMENSIONS ARE IN INCHES UNLESS OTHERWISE SPECIFIED |        | DRAWN               | DATE                | BY         |
| TOLERANCES ON:                                      |        | CHECKED             |                     |            |
| DECIMALS  | ANGLES | ENG APPR.           |                     |            |
| X ±0.01   | ±1/2°  | MFG APPR.           |                     |            |
| XX ±0.01  |        | REC SPECIFICATION # |                     |            |
| XXX ±0.005  |        | FILE NAME           |                     |            |
| UNLESS OTHERWISE SPECIFIED                          |        | USED ON:            | USED ON:            | USED ON:   |
| ② ALL OVER  |        |                     |                     |            |
| NOTE: THIS DWG INCORPORATES THIRD ANGLE PROJECTION  |        | CUSTOMER SPEC.      |                     |            |
|   |        | MATERIAL:           |                     |            |
|   |        | FINISH:             |                     |            |
|   |        | WEIGHT:             |                     |            |
|   |        | PATH: YCAD/DRAWING  | DATE SENT: 05/06/08 | SCALE: 1:1 |

TITLE: 4 WAY POWER DIVIDER COMBINER  
 REC DWG. NO. 10A2BZ-4S  
 REV. A  
 SHEET 1 OF 1