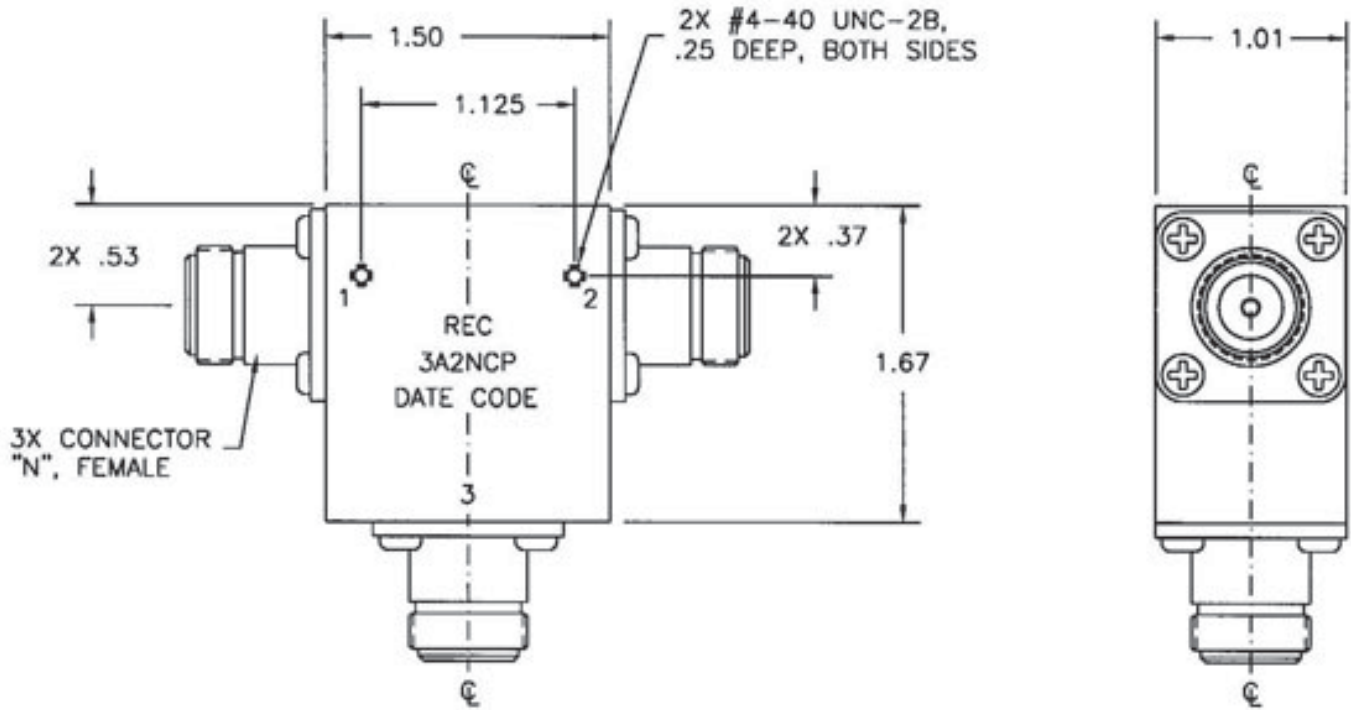


Model 3A2NCP Circulator Coaxial

This drawing is the sole property of REC and shall not be copied or reproduced in any form whatsoever. The contents are for the purpose only of quotation to or manufacture for REC and shall not be used as a basis for quotation to or manufacture for others. This drawing shall be returned with quotation or at termination of manufacturing contract or on demand of REC whichever is first.

REVISIONS			
LTR	ECO	DESCRIPTION	DATE
-	97618	DRAWING INITIATED	09/17/97
A	98036	ELECTRICAL CHARACTERISTICS REVISED	01/29/98
B	20020211	BOM ADDED TO MAX	04/23/02



ELECTRICAL CHARACTERISTICS:

FREQUENCY RANGE	700 - 950 MHz
ISOLATION (Min)	15 dB, 17 dB GOAL
INSERTION LOSS (Max)	0.7 dB
VSWR (Max)	1.60 : 1
POWER	150 Watts
TEMPERATURE RANGE	-40°C TO +75°C

USED ON	UNLESS OTHERWISE SPECIFIED DIMENSIONS ARE IN INCHES	DRAWN	G S GENFAN DATE	Renaissance Electronics Corporation sales@rec-usa.com 978-772-7774	
	TOLERANCES ON	CHECKED	09/17/97		
	DECIMALS	ANGLES	ENG. APVD	TITLE CIRCULATOR, COAXIAL	
	.X± .03	±1/2°	B SALKINS		
	.XX± .02		09/17/97		
	.XXX± .01		MFG. APVD		
CUSTOMER SPECIFICATION #	UNLESS OTHERWISE SPECIFIED ALL OVER	APPROVALS	SIZE	CAGE IDENT NO.	DRAWING NO.
FILE NAME	NOTE: THIS DWG INCORPORATES THIRD ANGLE PROJECTION		A	ORJ02	3A2NCP
OD\3A2NCP			SCALE	DISK #F	SHEET 1 OF 1