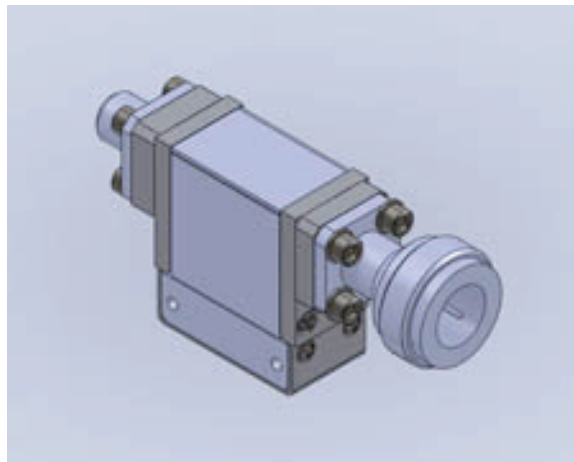
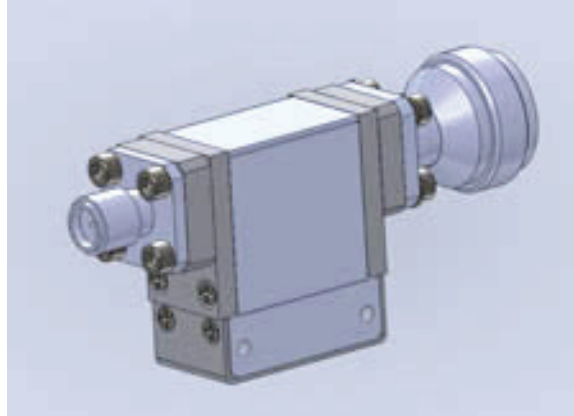


For Immediate Release



Product # 2A7NEXL-ROHS Coaxial Isolator

January, 2010 (Harvard, MA) 2A7NEXL-RoHS:

Renaissance Electronics has recently developed a 7 GHz, medium power coaxial isolator that can handle up to 50 W of reverse RF power. The connectors are Type N female on the output side and SMA female for the input. Both connectors are field replaceable and has removable spacers to allow isolator to go through a metal enclosure of known thickness. This

For more information about this product, contact:
Renaissance Sales at 978-772-7774 or go online at www.rec-usa.com



12 Lancaster County Road, Harvard, MA 01451
Tel: 978-772-7774 Fax: 978-772-7775

design exhibits insertion loss below 0.3 dB over 6.7 to 7.1 GHz of operating bandwidth with 20 dB isolation and 1.25:1 VSWR. Mechanical packaging is robust to handle 10,000 ft of altitude and -40 to +85 C temperature fluctuations.

For more information about this product, contact:
Renaissance Sales at 978-772-7774 or go online at www.rec-usa.com

Product Release #35