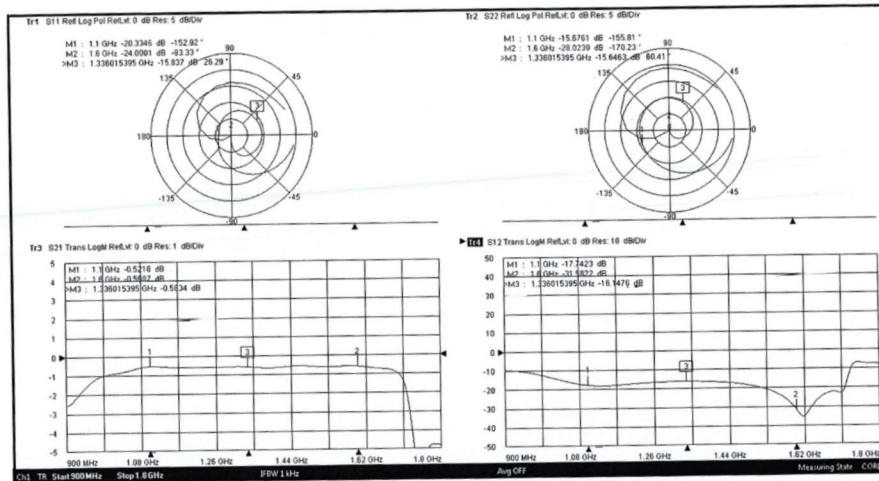




1.1 – 1.6 GHz Drop-in Isolator, L-band, 2H3BG

For use in satellite navigation, telecom and aircraft surveillance, Renaissance has designed this L-band drop-in isolator. Operating at 1.1 – 1.6 GHz and the 1W of Power CW, this isolator has high isolation and low insertion loss in a compact footprint.



Features and Benefits

- Low loss, high isolation provides better system fidelity
- Medium power handling increases system reliability
- Wide operating temperature range provides better system stability
- Compact size

Specifications

Frequency	1.1 – 1.6 GHz
Insertion loss	1.0 dB
Isolation	15 dB
VSWR	1.43 : 1
Power (CW)	1W
Temperature	-40°C to 85°C
Size	1.00" x 1.00" x .148"