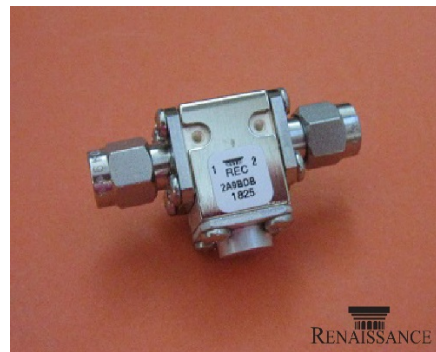


**20 - 22 GHz Coaxial Isolators, K-Band,
2A9BDA-ROHS and 2A9BDB-ROHS**

Renaissance has designed two K-band isolators optimized for the 20 – 22 GHz frequency range. With varying connector configurations, REC can provide you a high quality K-band isolator to fit your needs.

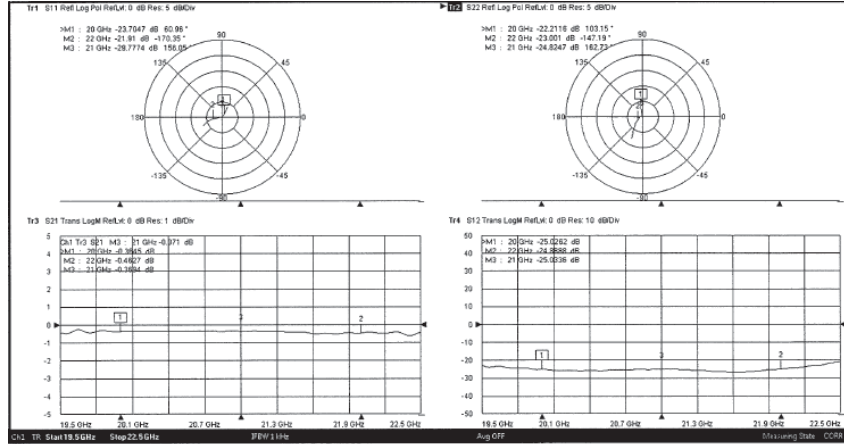


Features and Benefits

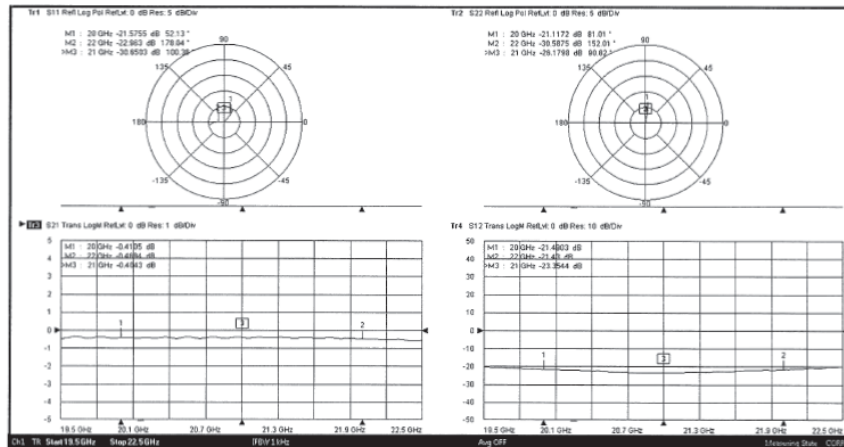
- Optimized for 20 – 22 GHz Frequency Range
- Varying Connector Configurations
- High Isolation and Low Insertion Loss
- Temperature Stable
- Compact Footprint

Specifications

Frequency	20 - 22 GHz
Insertion Loss	0.5 dB TYP
Isolation	20 dB
VSWR	1.25 : 1
Power Load	1 W
Temperature Range	0° to 70°C
Size	0.62 x 0.50 x 0.50



2A9BDA-ROHS



2A9BDB-ROHS