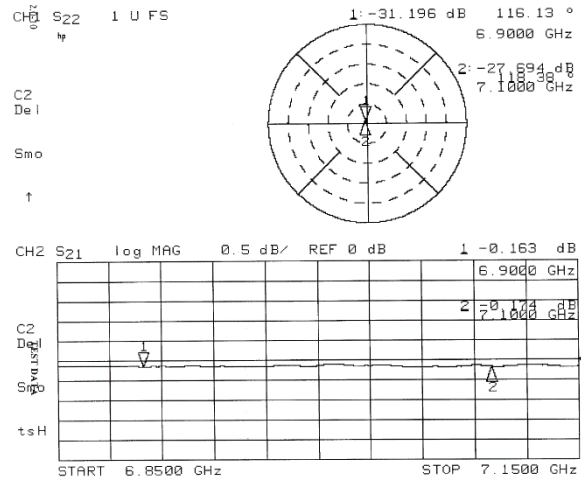
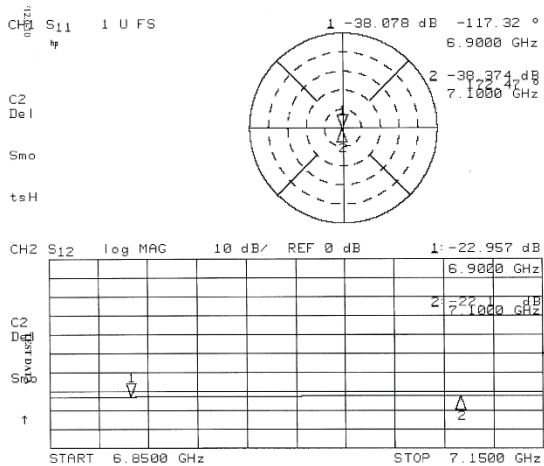




## 6.9 – 7.1 GHz Coaxial Circulator, C-band, 3A7NX

For use in satellite communication and weather radar systems, Renaissance has designed a C-band coaxial circulator. Operating at 6.9 – 7.1 GHz, this circulator offers 30W of CW power with high isolation and low insertion loss.



### Features and Benefits

- Superior stability within frequency range
- Low VSWR helps improve system fidelity
- Small footprint
- High level of CW power

### Specifications

Frequency	6.9 – 7.1 GHz
Insertion Loss	0.4 dB
Isolation	20 dB
VSWR	1.25:1
Power	30W CW
Temperature	-40°C to 85°C
Size	.75" x .75" x .50"