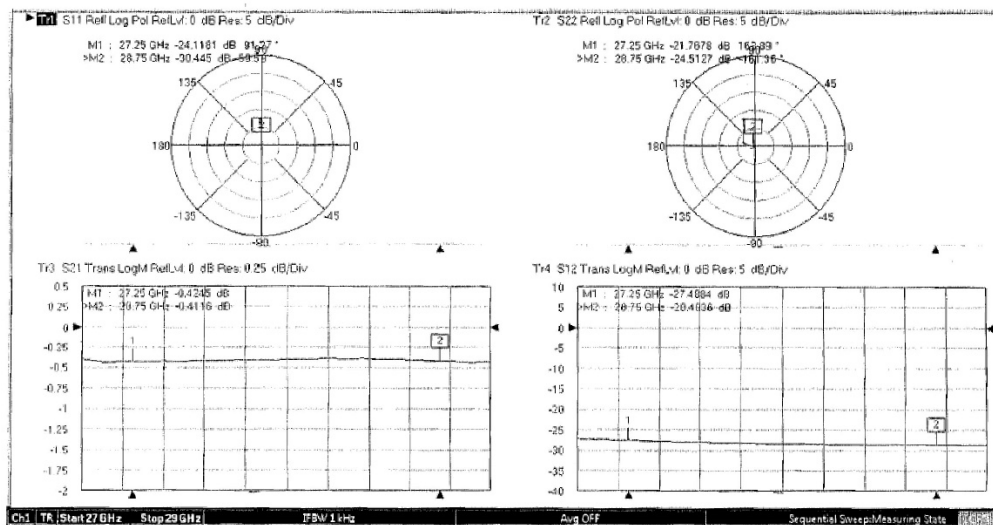


### 27.25 – 28.75 GHz Coaxial Circulator, Ka-Band, 3A9NAN

Ideal for terrestrial VSAT and high-definition satellite TV, Renaissance has developed a Ka-band coaxial circulator. Operating at 27.25 – 28.75 GHz, this isolator offers superior insertion loss flatness while maintaining high isolation.



#### Features and Benefits

- Excellent insertion loss flatness
- Low VSWR for system efficiency
- Ideal for VSAT and high-definition satellite applications

#### Specifications

Frequency	27.25 – 28.75 GHz
Insertion loss	0.5 dB
Insertion Loss Flatness	±0.10 dB
Isolation	14 dB
VSWR	1.40 : 1
Termination	1 Watt
Temperature	-40°C to 85°C
Size	.496" x .62" x .49"