

HEB and HHB Series Waveguide Bends 18 to 220 GHz

HXI's HEB and HHB series of waveguide bends are available in standard 90 degree configuration or by special order, 30, 45 or 60 degree configurations from WR-42 through WR-5 waveguide sizes (18 to 220 GHz). Precise attachment of flanges insure minimal discontinuity and a very low VSWR (typically 1.10:1 over each waveguide band).

HXI's quality waveguide bends provide precision connections between subsystem components with little impact on signal level and inter-component match.

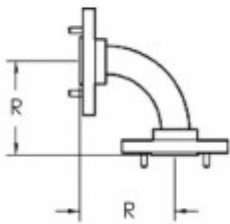
H-Plane Bend (HHB Series)



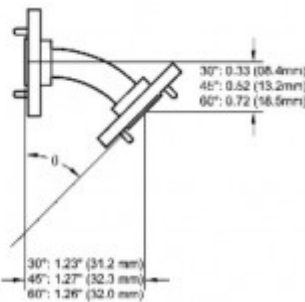
E-Plane Bend (HEB Series)



Mechanical Specifications



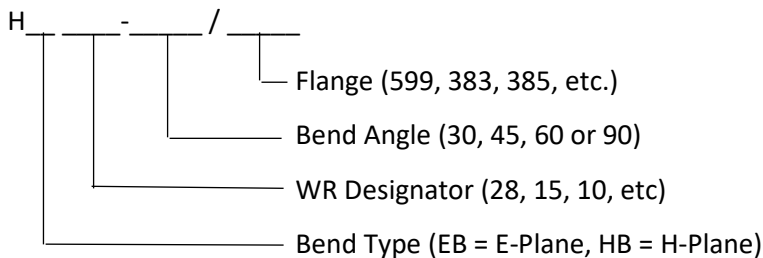
90 Degree Bend



30, 45 & 60 Degree Bends

Band Designation	K, Ka, Q, U	V, E, W, F, D, G
Waveguide Size	WR-42, WR-28	WR-15 to WR-5
90 Degree Bend Radius (R)	1.5", 38.1 mm	1.0"/25.4 mm

Ordering Information



A minimum order size may apply.